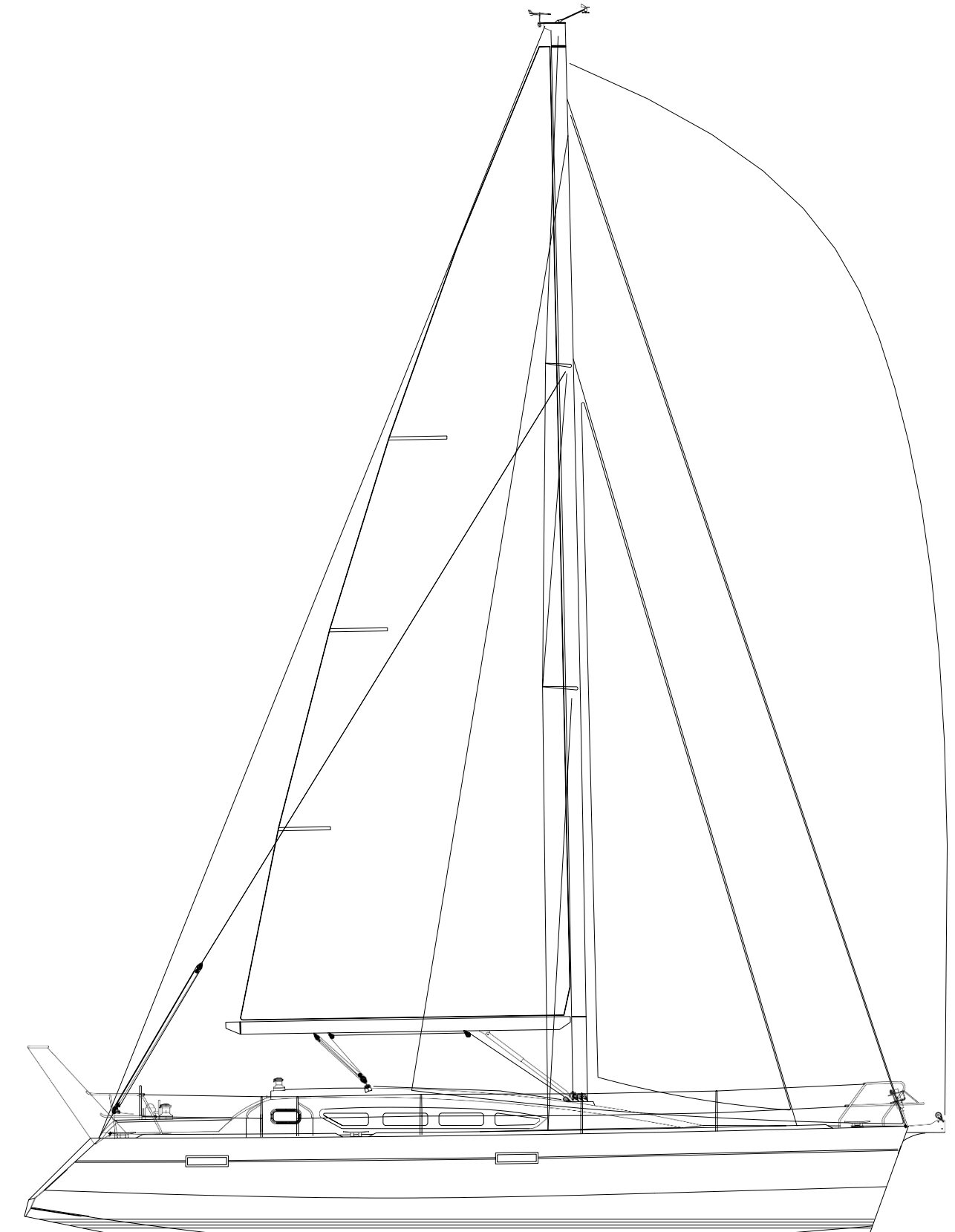
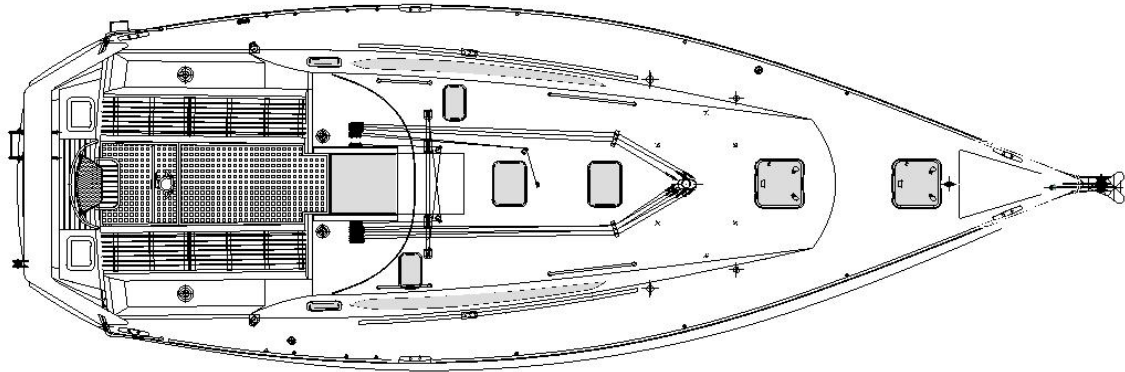


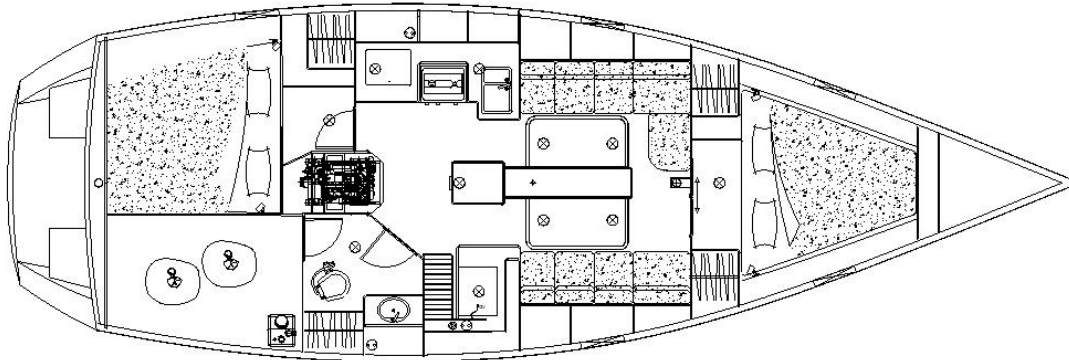
Ovni 395



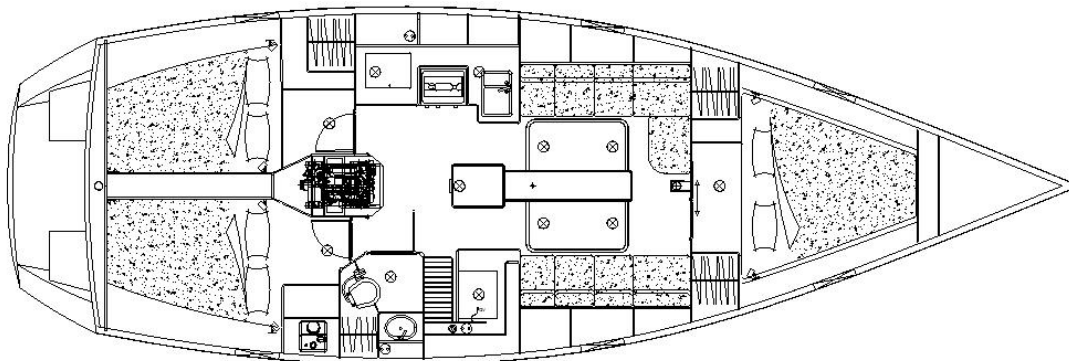
Ovni 395



STANDARD VERSION



3 CABIN VERSION



Standard DESCRIPTION and INVENTORY

2 Cabins + 1 Heads (standard)

3 Cabins + 1 Heads (Option)

I. GENERAL SPECIFICATIONS

- Architect	Philippe Briand
- Design category	A – 8 persons
- Materials	Aluminium 5083 H111 and 6060 T6 profiles 35 Gloss varnished vertical grain oak (option horizontal grain)
- Length overall L_{oa}	12.83 m (42'09") & 13,10 m (42'65") with extended bow roller
- Length on waterline M_{oc}	11.19 m (36'9")
- Maximum beam	4.11 m/ (13'6")
- Draught (min./max.)	0.6 / 2.10 m (2'/6'11")
- Air draught	16.6 m (54'5") excluding aerials
- Displacement (light/maximum load)	10,000 kg/ 12,400 kg
- Ballast	3,300 kg
- Freshwater capacity	430 l
- Fuel tanks	250 l
- Blackwater tank	55 l
- Area upwind	83.10 m ²
- Mainsail area	36.40 m ²
- Genoa area	46.70 m ²
- Staysail area	16.90 m ²
- Spinnaker area	115 m ²
- Engines	Volvo D2-50 shaft drive (36.5 kW)
- Maximum power allowed	60 hp (34 kW)

II. DECK FITTINGS

- Exotic wood external woodwork
- Non slip paint on horizontal surfaces
- Anodised bow-plate with double bow roller
- Painted aluminium toerails
- Self-draining chain locker
- Horizontal electric windlass 1000W, Ø10 chain gypsy and drum
- Stainless steel Swedish-style anchor pulpit, LED port and starboard navigation lights
- Stainless steel aft pulpit in 3 sections with horseshoe buoy bracket, helm seat and exotic wood outboard engine bracket
- Sheathed double lifelines on s/s stanchions and side opening gates
- 2 bow mooring cleats 330 mm
- 2 stern mooring cleats 330 mm
- 2 midship spring cleats 330 mm
- 1 260 mm cleat with stern rollers on starboard side
- Anodised aluminium chain-plates with s/s bushes
- 1 fore cabin hatch (575x575) with curtain on rail
- 2 saloon hatches (525x395) with curtains on rails
- 1 galley/1 heads hatch (415x275) with curtains on rails
- 2 coaming hatches (415x275) in heads and aft cabin with curtains on rails
- 5 fixed hull portholes (500x220) with curtains on rails (6 in 3 cabin version)
- 2 Plexiglas coachroof coaming windows with curtains on rail
- 1 opening porthole in the cockpit (350x170) per aft cabin with curtain on rail
- 1 self-supporting mainsheet track, adjustable traveller with tackle
- 2 genoa/staysail sheet tracks with 4 piston adjustable traveller cars
- 2 locking winch handles

- 2 48 AST genoa sheet winches
- 2 30 AST halyard winches on coachroof
- 2 sheave boxes (x6) leading halyards and reefs back to the cockpit
- 7+6 jammers / cleats on coachroof for mainsheet, halyards and travellers, reef and centreboard manoeuvring lines
- 4 grab rails welded on coachroof
- Water, fuel, black water deck fillers
- Bathing platform hot and cold water shower
- Engine ventilation grill on bathing platform
- Bathing platform with s/s ladder and liferaft storage
- 2 harness attachment points (companionway and helm station)
- Aft arch for accessories with LED stern light and 2 attachment points for lifting dinghy
- Block + fairleads with jammer / cleat for genoa furler line

III. RIGGING

- Anodised aluminium deck stepped mast, double swept aft spreaders, 4 folding mast steps to reach the Main Sail
- Anodised aluminium boom fitted with outhaul and 3 reef lines leading back to cockpit
- LED mooring and masthead navigation lamps, halogen deck floodlight
- Mast step/pod with 9 blocks
- Genoa furling system
- 1 Rigid boom vang with tackle
- S/s standing fractional rigging:
 - 1 forestay
 - 1 removable inner forestay
 - 2 backstays (optional: 1 backstay insulated)
 - 2 upper shrouds
 - 2 inter shrouds
 - 2 aft lower shrouds
 - 2 running backstays
- Running rigging
 - 1 mainsail halyard
 - 1 genoa halyard
 - 1 staysail halyard
 - 1 boom topping lift
 - 2 genoa sheets + 2 staysail sheets + 1 Main Sail sheet

IV. SAILS

- Dacron cross-cut mainsail, 3 reefs, bag and battens
- Furling Dacron cross-cut genoa, bag
- Cross cut Dacron staysail on snap hook, bag

V. COCKPIT

- Large self-draining cockpit
- Slatted exotic wood bench seats, cockpit floor in synthetic teak
- Coaming compartments with aft cabins ventilation
- Aluminium head for tiller, aluminium rudderstock
- Emergency tiller
- Leather-wrapped Ø1000 steering wheel, compass, compass cover, stainless steel hoop / hand rail, engine control and display
- 2 watertight lockers on bathing platform, out of which 1 for gas bottle
- 2 watertight cockpit lockers with restraint, manual bilge pump
- 1 opening porthole in the cockpit per aft cabin

VI. COMPANIONWAY

- Smoked altuglass sliding companionway hatch
- Smoked altuglass companionway door in 2 sections with vents and stainless steel lock
- Storage for the companionway door
- Exotic wood door frame
- 2 s/s leather wrapped grab rails
- Solid wood non-slip companionway steps
- Removable companionway steps to access engine
- Headroom: 1.98 m

VII. NAVIGATION STATION

- Chart table with chart storage
- Slatted navigator's seat with storage beneath
- Bookshelf and storage
- Electric control panel with 10 functions at 12V, 5 functions at 220V, 1 220V socket, 1 USB socket, leak meter, water and fuel gauge
- Panel with pre cabling to install electronic instruments
- 1 adjustable chart reading light + 1 LED spotlight

VIII. SALOON

- Port side L-shaped settee and settee opposite
- Storage space under seating
- Large table with 2 flaps on centreboard case, optional double berth conversion
- Upholstered foam cushions, 12 cm thick + backrests
- Shelf behind seating with storage space
- Bookshelves to port and starboard sides
- Upholstered lining on ceiling and wood on hull sides
- Teak and holly laminate or dark wengé flooring
- Ventilation by 2 saloon hatches (525x395) with curtains on rails
- 2 fixed hull portholes (500x220) with curtains on rails
- 2 plexiglas coachroof coaming windows with curtains on rails
- 5 LED spotlights
- Aluminium mast support
- Headroom: 1.98 m

IX. GALLEY

- L-shaped galley
- White laminate worktop with solid wood fiddles
- Built-in s/s double bowl sink
- Pressurised hot and cold-water
- Seawater foot pump
- Gimballed s/s two-burner stove with oven with s/s protection rail
- 12V top opening refrigerator, 180 L
- Storage cupboard under sink
- 2 door crockery storage with 2 shelves
- Shelf behind the stove with bottle storage
- Ventilation through opening deck hatch (415x275) with curtain on rail
- Plexiglas coachroof coaming window with curtain on rail
- 2 LED spotlights, 1 220V socket
- Headroom: 1.98 m

X. FORWARD CABIN (Standard)

- 1 double berth 200x200/80 cm at the feet
- 12 cm thick upholstered mattress
- Large storage lockers under berth
- Ventilated hanging locker with door
- Storage locker with door
- Locking sliding door separating cabin from saloon with retaining hook
- Teak and holly laminate or dark wengé flooring
- Upholstered lining on ceiling and wood on hull sides
- Ventilation through opening deck hatch (575x575) with curtain on rail
- 2 fixed hull portholes (500x220) with curtains on rails
- 1 LED spotlight, 2 adjustable LED reading lights, 1 USB socket
- Headroom: 1.85 m

XI. AFT PORT CABIN (Standard)

- 1 double berth 200x195/145 cm at the feet
- 12 cm thick upholstered mattress
- Storage under berth
- Storage locker with hanging locker with door
- Locking door separating cabin from saloon with retaining hook
- Inspection hatch to engine
- Teak and holly laminate or dark wengé flooring
- Upholstered lining on ceiling and wood on hull sides
- Ventilation by opening porthole on coachroof (\cong 415x275) and cockpit (\cong 350x170) with curtain on rail
- 1 fixed hull porthole (500x220) with curtain on rail
- 1 spotlight, 2 LED adjustable reading lights
- Electric circuit breaker on berth front
- Headroom: 1.90 m

XII. AFT CABINS (Option 3 cabin version)

- 1 double berth 200x150/100 cm at the feet
- 12 cm thick upholstered mattress
- Storage under berth
- Storage locker with hanging locker with door
- Locking door separating cabin from saloon with retaining hook
- Inspection hatch to engine
- Teak and holly laminate or dark wengé flooring
- Upholstered lining on ceiling and wood on hull sides
- Ventilation by opening porthole on coachroof (415x275) and cockpit (350x170) with curtain on rail
- 1 fixed hull porthole (500x220) with curtain on rail
- 1 LED spotlight, 2 LED adjustable reading lights
- Electric circuit breaker on port berth front
- Headroom: 1.90 m

XIII. AFT HEAD-SHOWER COMPARTMENT (Standard)

- Locking door separating cabin from saloon
- White laminate bulkheads
- Storage locker, wet locker
- White laminate worktop, cabinet behind the washbasin, mirror, bassin
- Inspection hatch to engine
- Exotic wood shower grating

- Manuel pump toilet, plastic holding tank (55L)
- Washbasin + hot and cold pressurised, combined tap/shower head
- 1 electric shower discharge pump
- Ventilation by opening porthole on coachroof (415x275)
- 2 LED spotlights
- Door to aft locker

XIV. AFT STORAGE LOCKER (Standard)

- Storage locker located starboard of companionway (accessed via heads compartment and from cockpit)
- Door to heads compartment
- Teak and holly laminate or dark wengé flooring
- 2 LED spotlights
- Aft storage locker layout on option (2 cabin version)

XV. MECHANICS – ELECTRICITY

- Volvo D2-50 shaft drive, 50 hp two-pole insulated diesel engine
- Ø30 s/s shaft with Volvo rotary shaft seal and RH 17x16 fixed three blade propeller, sacrificial anode
- Soundproof ventilated engine compartment
- 2 AGM service batteries ≅90Ah + 1 engine battery ≅90 Ah
- 40A Battery charger and 120A load distributor
- 22 l water heater, 220V supply and via engine heat exchanger
- 1 automatic electric bilge pump with switch on control panel

I. CENTREBOARD AND RUDDER

- Tackle for centreboard lifting and lowering
- Hydraulic ram for rudder blade with manual pump in the aft cockpit locker
- Safety release valve in case rudder grounds

Alubat Chantier Naval regularly improves its models thanks to feedback from customers and the developments made by its teams. The specifications in this document are not binding and ALUBAT reserves the right to update them without notice

ALUBAT CHANTIER NAVAL
ZI Les Plesses – 42 avenue Louis Bréguet
85180 Le Château d'Olonne - France

Tel: +33 (0)6 51 21 08 02

Email: info@alubat.com

Limited company with a registered capital of 680,000 Euros

RCS La Roche sur Yon 7999089 750

www.alubat.com

